

MANISCOPIC

MRT 1635

M Series

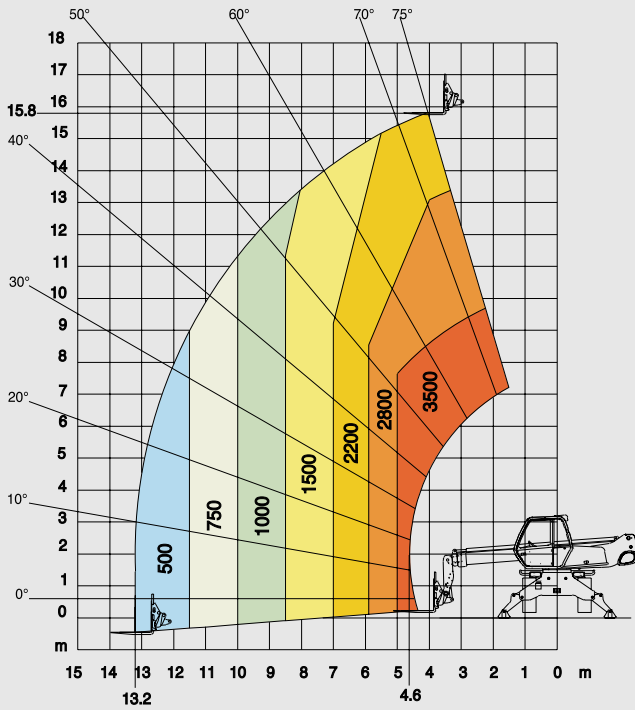


- Lift height : 15.82 m
- Max. reach : 13.20 m
- Engine : 106 HP - 78.5 kw
- 4 wheel drive - 4 wheel steer
- Hydrostatic transmission

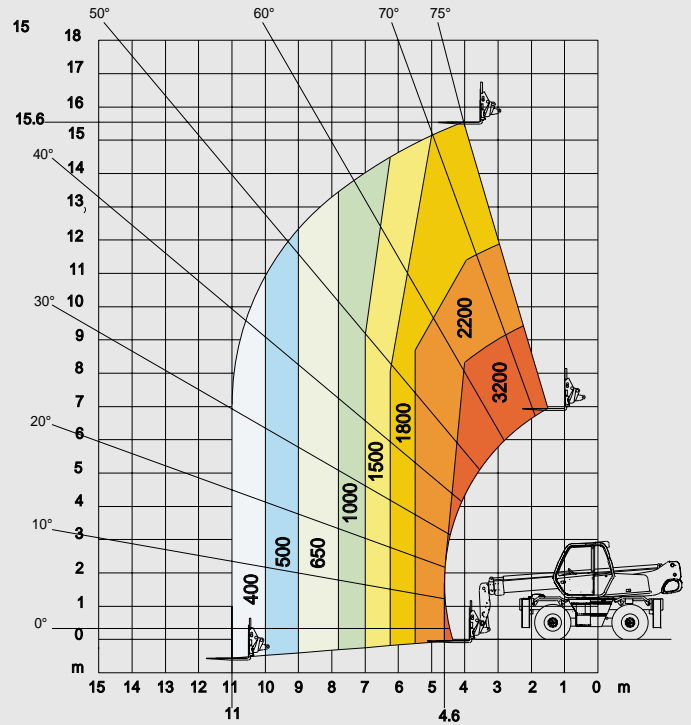


MRT 1635 M Series

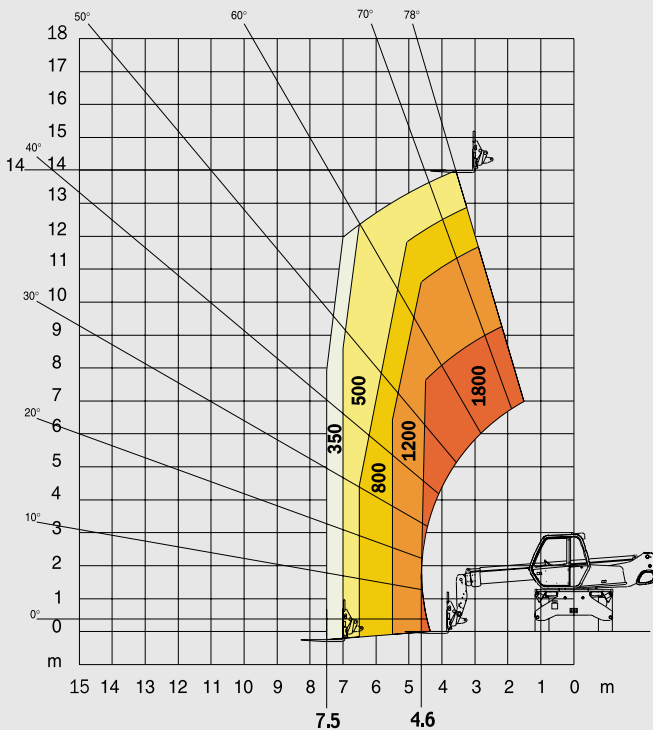
**ROTATION ON STABILISERS
WITH FORKS**



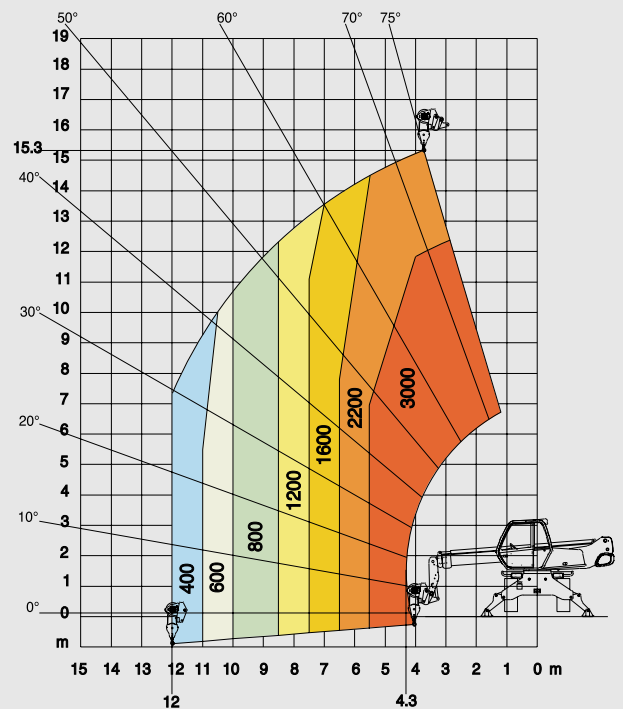
**FRONTAL POSITION ON WHEELS
WITH FORKS**



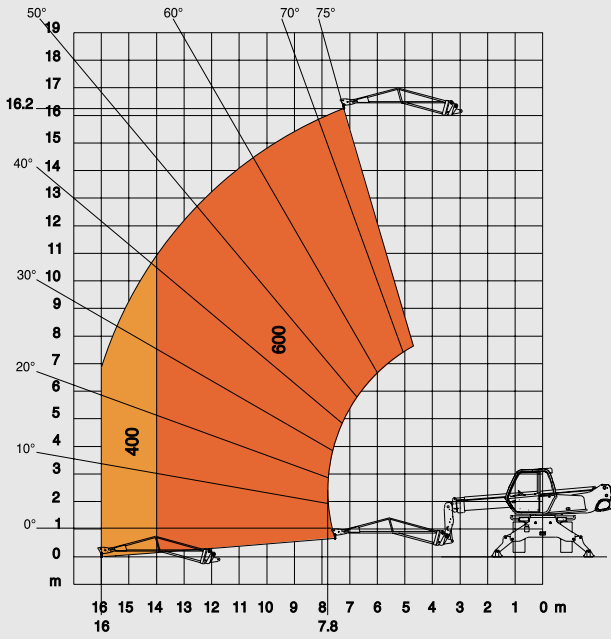
**ROTATION ON WHEELS
WITH FORKS**



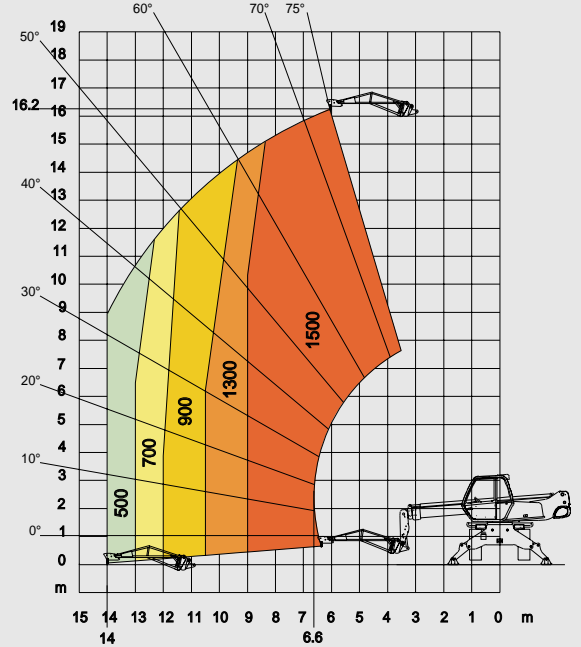
**ROTATION ON STABILISERS
WITH 3T WINCH**



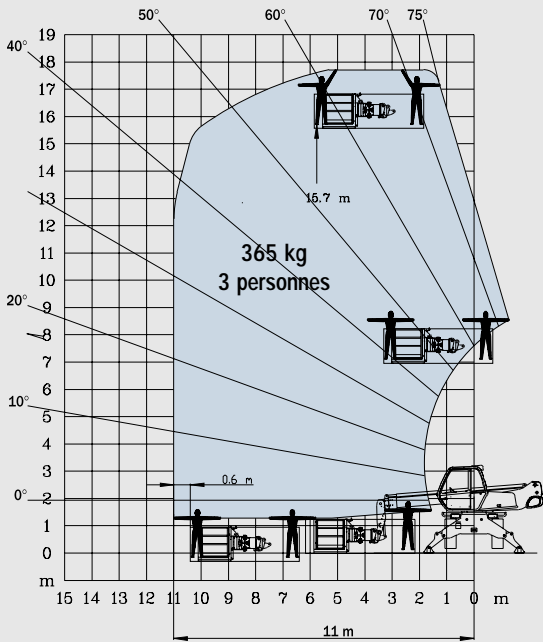
**ROTATION ON STABILISERS
WITH JIB P 600**



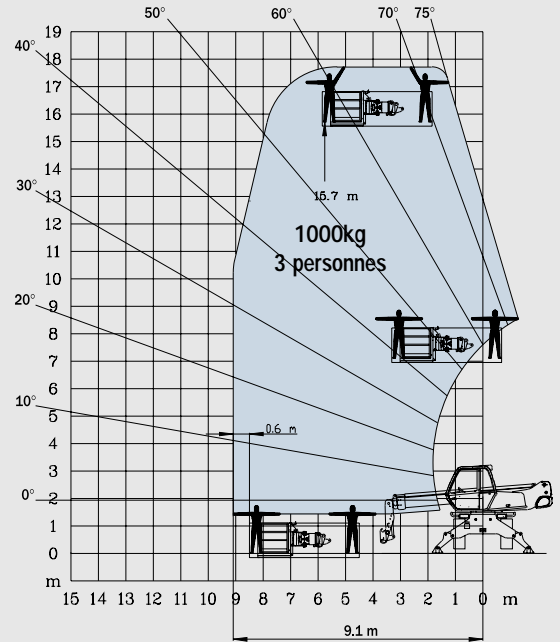
**ROTATION ON STABILISERS
WITH JIB P 1500**



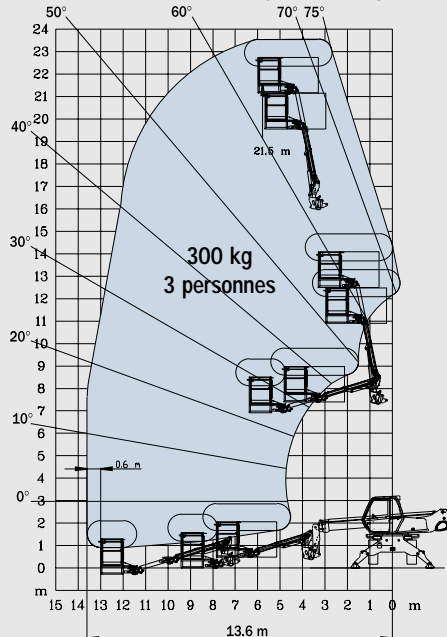
**ROTATION ON STABILISERS
WITH EXTENSIBLE PLATFORM 2,25/4 m**



**ROTATION ON STABILISERS
WITH 1000 KG PLATFORM 2,25/4 m**



**ROTATION ON STABILISERS
WITH AERIAL JIB PLATFORM**



**Equipment customised
on order**



MRT 1635 *M Series*



Lift capacity (on stabilisers).....3500 kg
at 500 mm from forks heels



Lift height :15.82 m



Tyres
400/70 - 20 14 PR



Forks (mm)
Length1200
Width x thickness125 X 45



Multidisc brakes : hydraulically assisted on front axle
Negative parking brake



Engine PERKINS
Type1004.40 Turbo
Capacity4 cyl. 3990 cm³
Power (ISO/TR 14396)106 HP/78.5 kw
at 2300 rpm
Water cooling
Direct injection



Transmissionhydrostatic
With automatic power regulation (hydraulic variable
displacement pump and motor)
Reversing shiftelectromagnetic
2 speed forward and reverse
Travel speed25 km/h



Rear axle
Automatic rear axle locking system
at a rotation over 15 °



4 stabilisers
simultaneous or individually controlled



Rotation through 400°
Turret mounted on a double slew ring



Hydraulics
2 pumps gear type270 bars/115 l/mn



Control : 2 electro proportional control joysticks for all
hydraulic movements



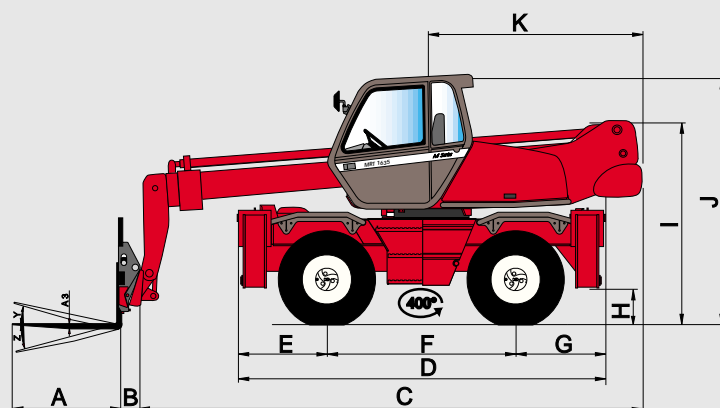
Capacities
Cooling system15 l.
Engine oil8.1 l.
Hydraulic oil140 l.
Fuel tank130 l.



Weight unladen (with forks)12955 kg
Overall width2.39 m
Overall height2.97 m
Overall length6.08 m
Ground clearance0.34 m
Drawbar pull9900 daN

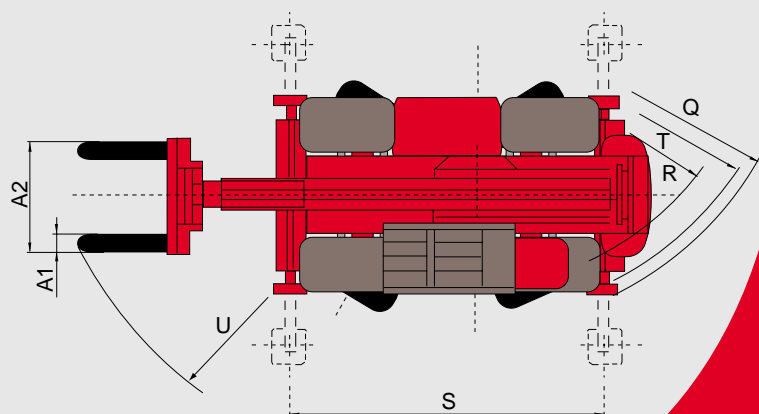
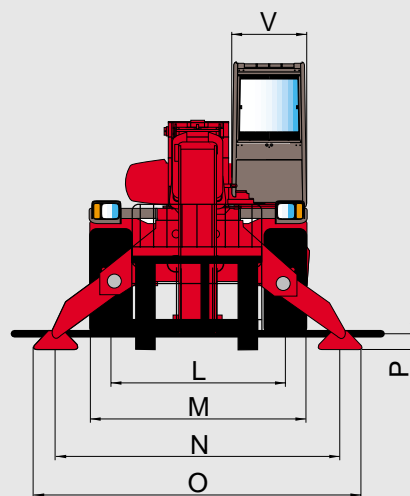


Standard load moment indicator
(mobile crane standards)



A	1200
A1	125
A2	1320
A3	45
B	290
C	6075
D	4330
E	1015
F	2320
G	1015
H	340
I	2375
J	2970
K	2485
L	1930
M	2390
N	3400
O	3800
P	160
Q	3900
R	3410
S	4000
T	3600
U	5520
V	950
Y	12°
Z	105°

mm



This publication in no way constitutes an offer and the company reserves the right to alter specification without prior notice.
The MANITOU models presented in this brochure can be supplied complete with optional equipment attachments.



444/10/2002



MANITOU B.F. S.A.
B.P.249 - 44158 ANCENIS CEDEX - FRANCE
TEL : 33 2 40 09 10 11
EXPORT DEPARTMENT FAX : 33 2 40 09 10 97
www.manitou.com